



---

## **Design Detail**

### **DD 1703-21**

Top Chord Bearing Truss Intersecting  
Type IIIA 2-Hour Rated Wall Assembly –  
Gypsum to Underside of Floor  
Sheathing

**Structural Building Components  
Association (SBCA)**

### **Product:**

**Top Chord Bearing Truss  
Intersecting Type IIIA 2-Hour  
Rated Wall Assembly**

Issue Date:

June 14, 2017

Revision Date:

October 19, 2020



COMPANY  
INFORMATION:

Structural Building Components Association  
(SBCA)

6300 Enterprise Ln  
Madison, WI 53719-1190  
608-274-4849

[sbcindustry.com](http://sbcindustry.com)

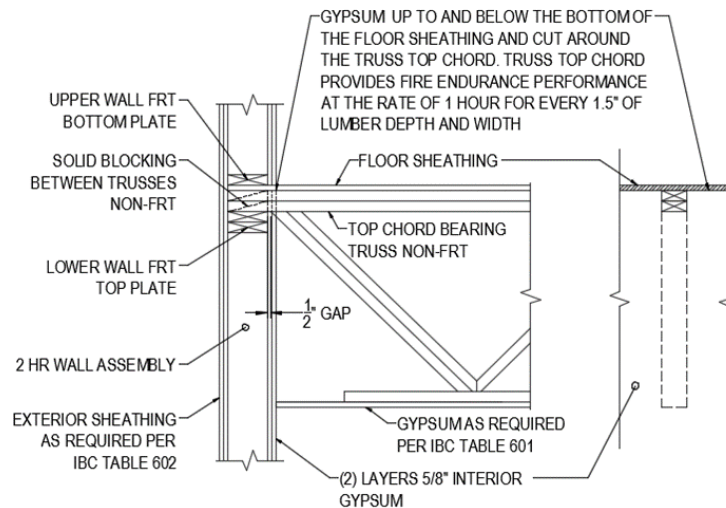


FIGURE 1. TOP CHORD BEARING TRUSS INTERSECTING TYPE IIIA WALL ASSEMBLY *IBC* SECTION 715 CODE COMPLIANT

1 NOTES

- 1.1 The seal on this design drawing indicates acceptance of professional engineering responsibility solely for the component(s) depicted. The design assumptions, loading conditions, suitability, and use of this component for any particular building is the responsibility of the building designer or owner of the components, per *TPI 1*. The responsibilities and duties of the component design engineer, and component manufacturer shall be in accordance with the latest edition of *TPI 1* Chapter 2 unless otherwise defined by a contract agreed upon by the parties involved.
- 1.2 This detail is only valid with a signed and sealed Truss Design Drawing.
- 1.3 Exterior Wall Assembly framing consists of FRT Lumber.
- 1.4 Floor truss, floor sheathing and blocking between trusses are not required to use FRT lumber. See SBCA Research Report (SRR) 1705-03. Dimensional lumber provides fire endurance resistance at a rate of 1 hour for each 1.5 inch of depth or width, i.e., blocking provides 2 hours of fire endurance in the vertical direction and 2 hours and 20 minutes in the horizontal direction.
- 1.5 Compliant with 2000-2015 *IBC*. To comply with 2018 *IBC* floor sheathing to be FRT at exterior wall penetration.
- 1.6 Exterior wall assembly to be fire resistance rated in accordance with *IBC* Table 601 and Table 602.
- 1.7 Floor assembly shall be fire resistance rated in accordance with *IBC* Table 601.
- 1.8 Refer to [DRR 1703-10: Building Code Requirements Regarding the Use of Fire Retardant Treated Lumber in Floor/Ceiling and Roof/Ceiling Assemblies Bearing on Exterior Walls of Type IIIA Buildings](#) for additional code compliance support.